

VERMONT ISLANDS

KITCHENS & BARS FOR OUTDOOR LIVING

STANDARD PRODUCTS

2008



IMPECCABLE SERVICE

Design Assistance Our experienced designers can work with you to design just what you need. If necessary we can schedule a site visit to see the property first hand.

Delivery & Set-Up For a modest charge (in most areas) we can deliver and set-up your outdoor kitchen or bar.

Custom Work If you can not find what you need from our standard product line or need a special look, we also provide custom design and manufacturing services.

Customer Service As the manufacturer, we are only a phone call away – and we take customer service seriously. As a valued customer you also receive new-product specials.

INCREASE REVENUE, IMPROVE SERVICE, REDUCE SET-UP COSTS & ENHANCE YOUR IMAGE.

22 Browne Court, Unit 115 • Brattleboro, Vermont 05301
www.vermontislands.com • info@vermontislands.com • toll free: (866) 345-4541

VERMONT ISLANDS

A COMPLETE MODULAR SYSTEM: Combine Islands to Create Your Ultimate Set



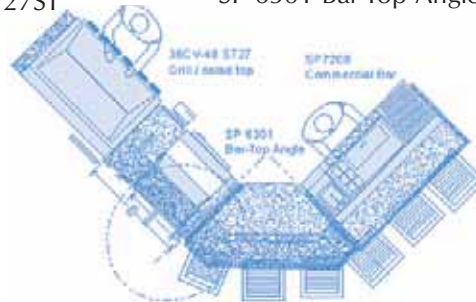
SP 7208 Commercial Bar



SP 36CV-48 27ST



SP 6301 Bar-Top Angle



Bar Chair (with arms)

FREE PROPOSALS

Professional proposals that include CAD drawings and pictures of each piece along with a price breakdown are provided free of charge. We have an extensive library of CAD drawings and symbols and can prepare multiple plans and configurations for review.

PRACTICAL, UNPRECEDENTED STYLE



- Modular**—Reconfigure for any occasion and add pieces over time.
- Durable**—Low maintenance provides years of service.
- Versatile**—Reconfigure for a variety of events and locations.
- Mobile**—Allows you to utilize your Islands anywhere on your property.
- Simple, elegant designs** enhance your image while reducing set-up time & labor costs.

UNCOMPROMISING QUALITY

Granite

All natural polished granite provides the ideal work surface and protects your Island.

Ipe (Ironwood)

The ultimate outdoor hardwood, at 69 lbs. per cubic foot Ipe lasts 50+ years as commercial decking.

Craftsmanship

Handcrafted by skilled Vermont cabinetmakers.



Fasteners

All fasteners are marine grade stainless steel.

Hardware

Anodized aluminum hardware will not rust or pit even in salty environments.

Casters

Rugged 6" x 2" industrial casters

VERMONT ISLANDS

SERVICE STATIONS



72" L x 28" W x 39" H

7200 Service Island

The **7200 Service Island** is our most popular size. With two doors and drawers there is plenty of room for storage or add-on options in this 6 foot cart. A third door can be optimized for storage space by adding a shelf kit or use the space for a 3.5 cubic foot refrigerator with matching lpe door panel. Other add-on options include drop-in sink, ice and water station, induction cook-top, side burner, polished granite shelf, umbrella holder or canopy. The 7200 serves as a food prep area next to the grill, condiment station, wait service station, coffee cart, buffet line, back bar or storage cabinet.



72" L x 28" W x 44" H

7201 Wait Station

The **7201 Wait Station** is a specialized version of the standard 6 foot cart. With extended side and back panels, it is ideal for a wait service station: the backsplash keeps things like water pitchers, coffee urns, condiments and utensil racks from falling off. Cabinet locks for secure storage are included. Available with a 3.5 cubic foot refrigerator with matching lpe door panel to keep cream, milk, etc. cold or without the refrigerator for additional storage. Also available as a 4 foot model (4801 Wait Station).



Refrigerator Electrical Information -

5 Amps, 110 Volt, NEMA 5-15P plug, 3.5 cubic feet



64" L x 28" W x 61" H

6001 Wait Station

The versatile **6001 Wait Station** combines the best features of our Bus Station and Wait Station designs. It features open shelving for small bus tubs and lockable doors and drawer for secure storage. The lockable fold-down door option provides additional storage space and security. A polished granite counter top and top display shelf finishes this useful and functional station.



26" L x 26" W x 48" H

2402 Host Podium

The **2402 Podium** is great for outdoor or indoor applications. Our Host Podium with slanted granite counter top and side menu holder is ideal for host stands, guest books, registration books, clipboards, seating charts, starter stations, greeting stations, etc. Use it in the restaurant, at the cafe outside or on the golf course. An umbrella holder for a market umbrella is a great add-on for outdoor use.



46" L x 28" W x 44" H

4801 Service Island

The **4801 Wait Station** is a smaller version of the standard 6 foot wait station (7201 Wait Station). With extended side and back panels, it is ideal for a wait service station: the backsplash keeps things like water pitchers, coffee urns, condiments and utensil racks from falling off. There is plenty of storage room behind the lockable doors and drawers (cabinet locks included). Available with a 3.5 cubic foot refrigerator with matching lpe door panel to keep cream, milk, etc. cold or without the refrigerator for additional storage.



VERMONT ISLANDS

BARS



71" L x 38" W x 47" H (93" H with canopy)

7208 Commercial Bar

The **7208 Commercial Bar** features a Glastender® stainless steel bar system with: 18" Drainboard, 36" Combo Ice Bin (67 lb. capacity), and 12" Liquor Display. The drainboard also fits Island Oasis® or Maui™ frozen beverage system machines for blended drinks and smoothies, making this a perfect margarita or daquiri bar. The double-tiered design features a granite bar/counter top on the customer side and lockable storage underneath for back-up mixers, liquors and supplies. The optional canopy and glass-rack provides shade and stemware storage. Alternate Glastender® underbar components are available on request.



93" L x 38" W x 47" H (94" H with canopy)

9608 Commercial Bar

The **9608 Commercial Bar** features a Glastender® stainless steel bar system with: 24" Refrigerator or 24" Keg Cooler, 12" Liquor Display or 12" Sink, 18" Drainboard, and 36" Combo Ice Bin (67 lb. capacity). The drainboard also fits Island Oasis® or Maui™ frozen beverage system machines for blended drinks and smoothies, making this a perfect margarita or daquiri bar. Use the refrigerator option for additional cold storage including beer, wine, soda, juices and mixers or get the single keg cooler for a self-contained remote draft beer option. The double-tiered design features a granite bar/counter top on the customer side and lockable storage underneath for back-up mixers, liquors and supplies. The optional canopy and glass-rack provides shade and stemware storage. Alternate Glastender® underbar components are available on request.



83" L x 38" W x 47" H (94" H with canopy)

8408 Commercial Bar

The **8408 Commercial Bar** features a Glastender® stainless steel bar system with: two (2) 12" Liquor Displays, and 60" Combo Ice Bin (100 lb. capacity). This bar is designed for high-volume cocktail service, operated by one or two bartenders. The double-tiered design features a granite bar/counter top on the customer side and lockable storage underneath for back-up mixers, liquors and supplies. Overhead canopy and glass-rack options provides shade and stemware storage. Alternate Glastender® underbar components are available on request.



63" L x 28" W x 47" H

6301 Bar-Top Angle/Corner

The **Angle Corner** is a unique Island designed for configurations with corners. Use the Angle Corner in combination with other Vermont Islands to make "L" or "U" shaped configurations. The 6301 Bar Top Angle takes the regular Angle Corner Island one step further by adding a raised, polished granite bar top to align perfectly with the 7208 Commercial Bar. Add one or two Angle Corners to a Bar or Bottle Cooler to create a blender station, cocktail waitress station or additional storage.



VERMONT ISLANDS

BARS, CONT.



64" L x 28" W x 61" H

6002 Bottle Cooler Back Bar

The **6002 Bottle Cooler Back Bar** is a functional piece for keeping beer and wine cold. It is similar in appearance to the 6001 Wait Station and 6000 Bus Station, with granite top shelf and optional fold-down locking doors for additional secure storage. The 60 inch NSF certified cooler by Glastender® has a capacity for 10.5 cases of long-neck bottles. This item is also available as a Bar Top model that aligns with the 7208 Commercial Bar, 9608 Commercial Bar and 6301 Bar Top Angle.



Bottle Cooler - Electrical Information: 8.8 Amps, 115 Volt, 1 Phase, 60 Hz, dedicated 15 Amp circuit, NEMA 5-20P plug



76" L x 32" W x 48" H

7211-48 Salad Top Refrigerator

The **7211-48ST Salad Top Refrigerator** features a 48" salad-top refrigerator with 13.4 cubic feet of storage space in a larger 6 foot Ipe cabinet with a polished granite service counter. This is the refrigeration cart you need for easy food prep and high-volume food service. The additional cabinet space allows for lockable dry storage and the drop-in sink option.



Salad Top - Electrical Information
7.1 Amps, 115 Volt, 1 Phase, 60 Hz, dedicated 15 Amp circuit, NEMA 5-20P plug

HOT & COLD BUFFETS



76" L x 34" W x 39" H

7210-48UC Under Counter Refrigerator

The **7210-48UC Under Counter Refrigerator** features a 48" under-counter refrigerator with 13.4 cubic feet of storage space in a larger 6 foot Ipe cabinet with a polished granite counter top. This is the refrigeration cart you need for high-volume food service. The additional cabinet space allows for lockable dry storage and the drop-in sink option. Add a canopy for shade and additional protection from the elements.



72" L x 28" W x 39" H

7205-3 Cold Buffet

The **7205-3 Cold Buffet** features a non-refrigerated or refrigerated NSF certified 3-Pan Cold well and granite counter top. This multi-functional food service cart can serve as a cold food buffet, salad bar, raw bar, back bar or self-serve beverage cart. The Cold Buffet has dry storage underneath as well as room for an optional 3.5 cubic foot refrigerator with matching Ipe wood-paneled door.



Refrigerated Cold Buffet - Electrical Information
4.9 Amps, 120 Volt, NEMA 5-15P plug

VERMONT ISLANDS

HOT & COLD BUFFETS, CONT.



99" L x 28" W x 39" H (56" H with shelf)

9605-5 Cold Buffet

The **9605-5 Cold Buffet** is our best-selling buffet cart. It is an excellent multi-purpose Island for use by the grill or as a stand alone piece. Use it as a salad bar, raw bar, back bar or grab 'n' go snack cart. With a stainless steel NSF certified 5-Pan cold well (non-refrigerated or refrigerated), granite counter top and plenty of lockable storage space many of your outdoor foodservice needs can be met with this one piece.

Refrigerated Cold Buffet - Electrical Information
7.2 Amps, 120 Volt, NEMA 5-15P plug



7206-3 Hot Buffet Cart



72" L x 28" W x 39" H

The **7206-3 Hot Buffet** is a must for lunch and dinner buffets or any occasion requiring hot food for a large number of guests. Our electric Hot Buffets feature stainless steel, NSF certified inserts for standard hotel pans and a granite counter top. Use the Hot Buffet as a bain-marie or in combination with our Cold Buffets, Service Islands, Bar Carts and Grills to meet all of your food service needs.

3 Well Hot Buffet - Electrical Information
15.6 Amps, 120 Volt, 625 W per well, NEMA 5-20P plug



GRILLS

48CV-48 27ST Grill and Refrigerator Cart



106" L x 36" W x 47" H
(Note - Removable plate shelf & end shelf adds 14" to length and 10" to width)

The **48CV-48 27ST** is an all-purpose, multi-functional piece that will fulfill most of your food service needs. When large volumes of food must be prepared, choose this unit featuring a 99,000 BTU 48" Crown Verity Grill and a 27" Salad Top Refrigerator. A granite service shelf on the customer side provides a place for condiments and walk-up service. Grill comes with front plate shelf and side end shelf. Optional warming drawers (shown) are a great addition to this piece. The typical configuration places a slide-out 20 lb. LP tank between the grill and refrigerator. However the grill cart can be customized with an external LP tank holder allowing space for a sink and self-contained hot and cold water system. This is the ultimate food service cart.

Salad Top - Electrical Information: 6.2 Amps, 115 Volt,
1 Phase, 60 Hz, 15 Amp circuit, NEMA 5-20P plug



36CV-48 27ST Grill and Refrigerator Cart



93" L x 34" W x 39" H (57" H with hood)

The **36CV-48 27ST** is an all-purpose, multi-functional piece that will fulfill most of your food service needs. Main features include a 79,500 BTU 36" Crown Verity Grill and a 27" Salad Top Refrigerator. A granite service shelf on the customer side provides a place for condiments and walk-up service. Grill comes with front plate shelf and side end shelf. The typical configuration places a slide-out 20 lb. LP tank between the grill and refrigerator. However the grill cart can be customized with an external LP tank holder allowing space for a sink and self-contained hot and cold water system. This is the ultimate food service cart.

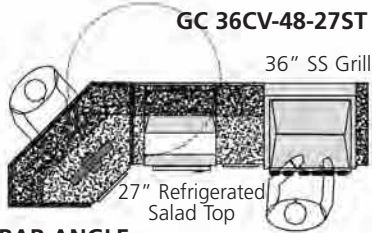
Salad Top - Electrical Information: 6.2 Amps, 115 Volt, 1
Phase, 60 Hz, 15 Amp circuit, NEMA 5-20P plug



VERMONT ISLANDS

COMBINE ISLANDS TO MEET YOUR NEEDS & ADD PIECES OVER TIME.

1



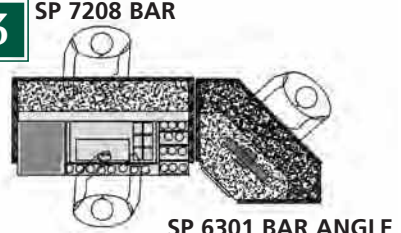
GC 36CV-48-27ST
36" SS Grill
27" Refrigerated Salad Top
SP 6301 BAR ANGLE
Grill w. Salad Top & Pick-Up/POS

2



GC 48CV-48-27ST
48" SS Grill SP 7206-3
Grill w. Salad Top & Electric Hot Wells

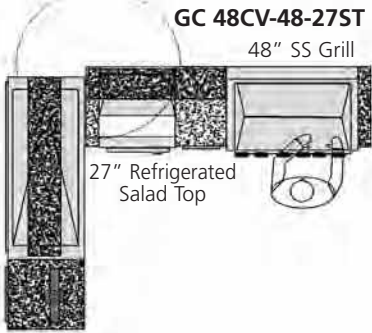
3



SP 7208 BAR
SP 6301 BAR ANGLE
Bar w. Angle Corner & Pick-Up/POS

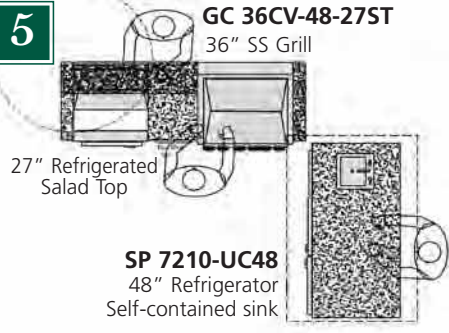
INCREASE YOUR REVENUE & IMPROVE YOUR SERVICE WITH MOBILE PROFIT CENTERS.

4



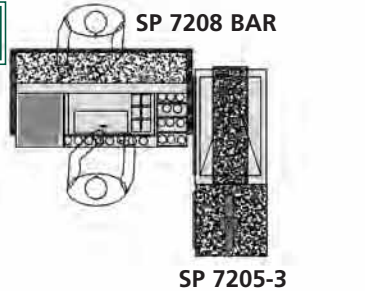
GC 48CV-48-27ST
48" SS Grill
27" Refrigerated Salad Top
SP 9605-5
Grill w. Salad Top & (5) Ice Well

5



GC 36CV-48-27ST
36" SS Grill
27" Refrigerated Salad Top
SP 7210-UC48
48" Refrigerator
Self-contained sink
Grill w. Salad Top & Refrigerated Beverages

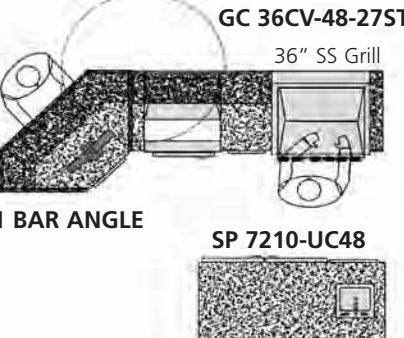
6



SP 7208 BAR
SP 7205-3
7208 Bar with 3-Pan Ice Well

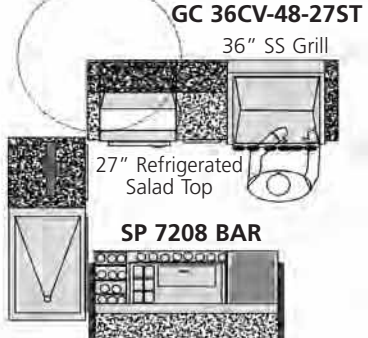
A COMPLETE SYSTEM OF MOBILE & MODULAR ISLANDS WILL MEET ALL YOUR NEEDS.

7



GC 36CV-48-27ST
36" SS Grill
27" Refrigerated Salad Top
SP 7210-UC48
SP 6301 BAR ANGLE
Grill with Salad Top, Angle, Prep Counter & Refrigerated Beverages

8



GC 36CV-48-27ST
36" SS Grill
27" Refrigerated Salad Top
SP 7205-3
SP 7208 BAR
Grill w. Salad Top, Ice Well & Bar

9



SP 7208 BAR
SP 6301 BAR ANGLE
SP 6002 BC
Bar with Angle, POS & Bottle Cooler

UNLIMITED POSSIBILITIES — RECONFIGURE FOR DIFFERENT EVENTS.

10

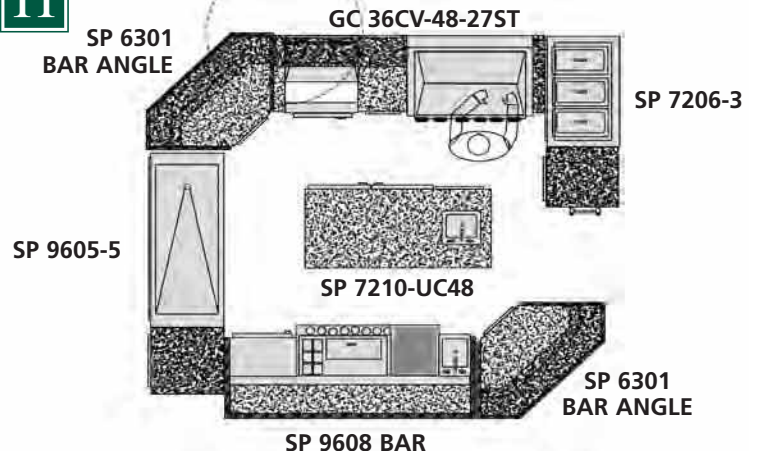
Bar & Grill



GC 36CV-48-27ST
SP 7210-UC48
48" Refrigerator
Self-contained sink
SP 7208 BAR
SP 6301 BAR ANGLE

11

Bar, Grill & More



SP 6301 BAR ANGLE
GC 36CV-48-27ST
SP 7206-3
SP 9605-5
SP 7210-UC48
SP 6301 BAR ANGLE
SP 9608 BAR

VERMONT ISLANDS

ACCESSORIES

Sink
Self Contained Hot & Cold Water
Ice & Water Station
Ice Well
Refrigerator
Induction Cooktop
Granite Top Shelf
Sneeze-guard
Umbrella Holder
Locking Doors & Drawers
Glass Rack
Snack Rack
Canopy
Griddle Plate
Steamer Pans
Rotisserie
Removable Front Shelf
Removable End Shelf
Slide-Out LP Tank
Vinyl Cover



Covers are available for all products.

INTERIOR & CUSTOM SETS

This interior custom three-piece set is multi-functional. The custom kiosk serves as a newstand by day, providing Hotel coffee and pastries. The set easily transforms into a sushi bar at night.



Toll-free: 866-345-4541 • Fax: 802-246-2278 • Web: www.vermontislands.com

VERMONT ISLANDS' CUSTOMERS

Sandals Royal Bahamian, *Bahamas*
Sandals Ocho Rios, *Jamaica*
Nine Beaches, *Bermuda*
Disney Swan & Dolphin Resort, *Orlando, FL*
The Breakers, *Palm Beach, FL*
Four Seasons Resort, *Palm Beach, FL*
The Polo Club, *Boca Raton, FL*
Ocean Reef Club, *Key Largo, FL*
Hilton, *Key West, FL*
The Greenbrier, *White Sulphur Springs, WV*
Country Club of Virginia, *Richmond, VA*
Aronimink Country Club, *Newton, PA*
Citizens Park Stadium, *Philadelphia, PA*
Baltusral Country Club, *Springfield, NJ*
Canoe Brook Country Club, *Summit, NJ*
West Hampton Country Club, *West Hampton, NY*
Oak Hill Country Club, *Rochester, NY*
Statue of Liberty, *New York, NY*
Nantucket Yacht Club, *Nantucket, MA*
Loon Mountain, *Lincoln, NH*

Please visit on the web at
www.vermontislands.com

"They sized up our needs, making valuable suggestions and recommendations that fit our facility perfectly... our revenue and service have both improved."

—William Hoferer, President — NJ Club Managers' Association

"The addition of a beautiful system from Vermont Islands has really enhanced the image of our outdoor areas and made our members feel part of a unique setting."

—Brent Merrill, GM — Hudson National Golf Club

VERMONT ISLANDS
22 BROWNE COURT, UNIT 115
BRATTLEBORO, VT 05301