

9608 Bar Modules

Description:

Mobile outdoor Ipe (ironwood) bar functions as a stand alone bar or as a piece in a set connected to additional bar modules. Choose from a variety of under-bar equipment to configure bars for specific needs. Bars have granite bar top (available in two depths), stainless steel drink rail, locking sliding doors, and with accessory options for adjustable height shelves and/or drawers, ice bins, drain boards, blender stations, sinks, refrigeration, keg beer coolers, wine coolers, waste bins, under-bar lighting and more.

Standard Features:

- Solid ipe hardwood construction
- Heavy duty 4"x2" casters
- Locking front casters
- Locking sliding doors
- Under bar storage
- Granite bar tops
- Stainless steel drink rail

Specifications:

Unit dimensions:

- Length - 96"
- Width (Deep top) - 45 3/4"
- Deep Top overhang - 12"
- Deep Top depth - 18"
- Width (Narrow top) - 37 3/4"
- Narrow Top overhang - 4"
- Narrow Top depth - 10"
- Height (overall) - 45 1/2"
- Weight - 1000 Lbs.

Crated for shipping dimensions:

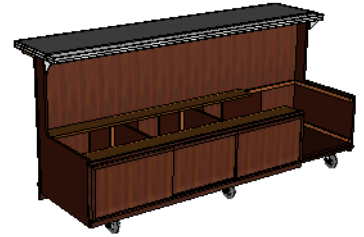
- Length - 104"
- Width - 54"
- Height - 54"
- Weight - 1300 Lbs.

Accessories & Options:

- Ice Bin
- Drain board
- Sink
- Self Contained Hot & Cold Water
- Self Contained Cold Water
- Adjustable internal drawers & shelves
- Refrigerator
- Keg Cooler
- Wine Cooler
- Cups and Cold Drawers
- Waste bins
- Under-bar lighting (LED)
- Market Umbrella Holder Bracket
- Vinyl Cover
- Solid Surface bar top



9608 Stand alone module with finished sides

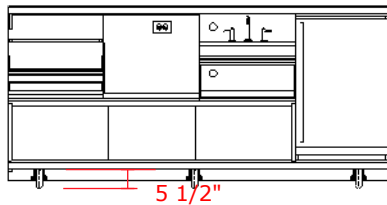


Set module comes with unfinished sides to connect to additional pieces (end modules have finished side)

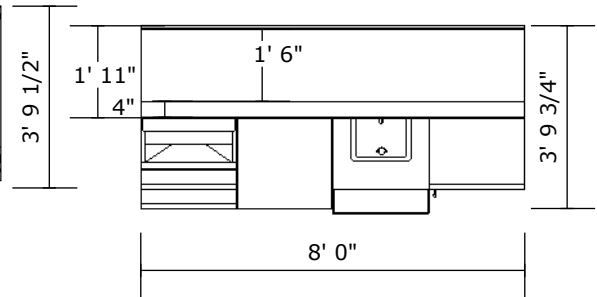


Narrow bar top available for walk-up service and small spaces

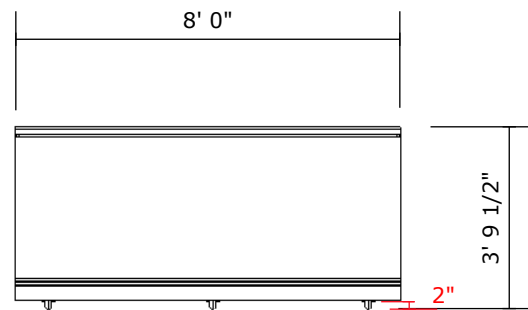
Front View



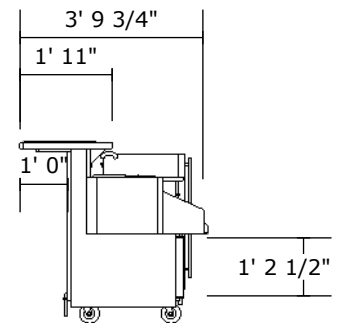
Top View (deep top)



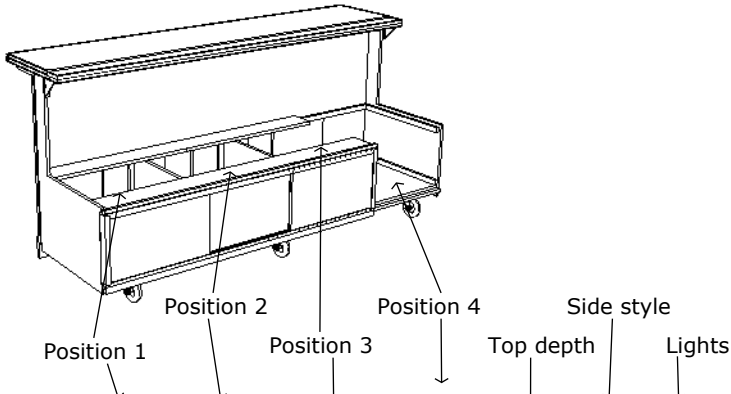
Back View



Side View (deep top)



9608 Bar Modules



Configure Model Options

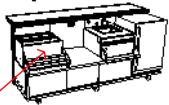
Start with an empty 9608 Bar module (left) and configure it to meet your needs from the standard modular options below. Configuration modules combined **MUST** total 96"

Write the module codes for the corresponding position in the SKU # by making the following choices:

- 1) Choose position 1 module
- 2) Choose position 2 module
- 3) Choose position 3 module
- 4) Choose position 4 module
- 5) Choose bar top depth (**Deep** or **Narrow**)
- 6) Choose sides (**Finished** or **Unfinished**)
- 7) Choose lighting option **1 - Lights; 0 - No Lights**

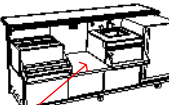
9608- - - - - Bar

1) Choose position 1 module



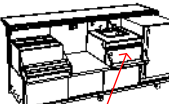
9608-IB2-

2) Choose position 2 module



9608-IB2-DB2-

3) Choose position 3 module



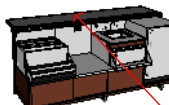
9608-IB2-DB2-S2HCW-

4) Choose position 4 module



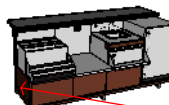
9608-IB2-DB2-S2HCW-REF-

5) Choose bar top depth



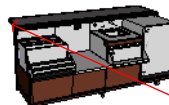
9608-IB2-DB2-S2HCW-REF-D-_-_-

6) Choose side style



9608-IB2-DB2-S2HCW-REF-D-U-_-

7) Choose lighting option



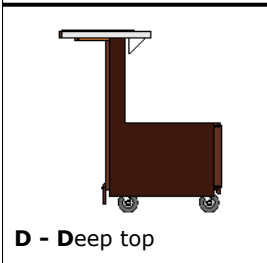
9608-IB2-DB2-S2HCW-REF-D-U-1

Configuration Modules

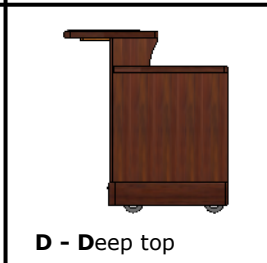
S1 - 12" sink (no self-contained water)	TR - 12" waste bin	DB2 - 24" drain board	IB2 - 24" ice bin and speed rail	IB3 - 36" ice bin and speed rail
REF - 24" refrigerator	W - 24" wine cooler	K2 - 24" keg cooler (1 standard keg or 2 bullet kegs)	S2HCW - 24" sink module (15"x15" sink) with self-contained hot and cold water (HCW)	S3HCW - 36" sink module (15"x15" sink) with self-contained hot and cold water (HCW)
DS - drawers & shelves module	CD - Ice cooled stainless steel cold drawers (2) & cup dispensers (2)	K5 - 60" keg cooler (2 standard kegs)	BC5 - 60" low profile bottle cooler	

U - Unfinished sides

F - Finished sides



D - Deep top

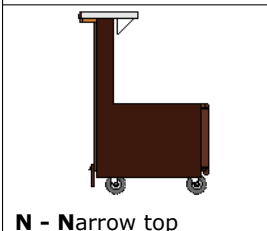


D - Deep top

LED lights illuminate customer & bartender sides of bar



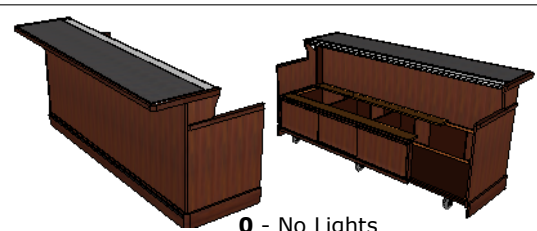
1 - Lights



N - Narrow top



N - Narrow top



0 - No Lights

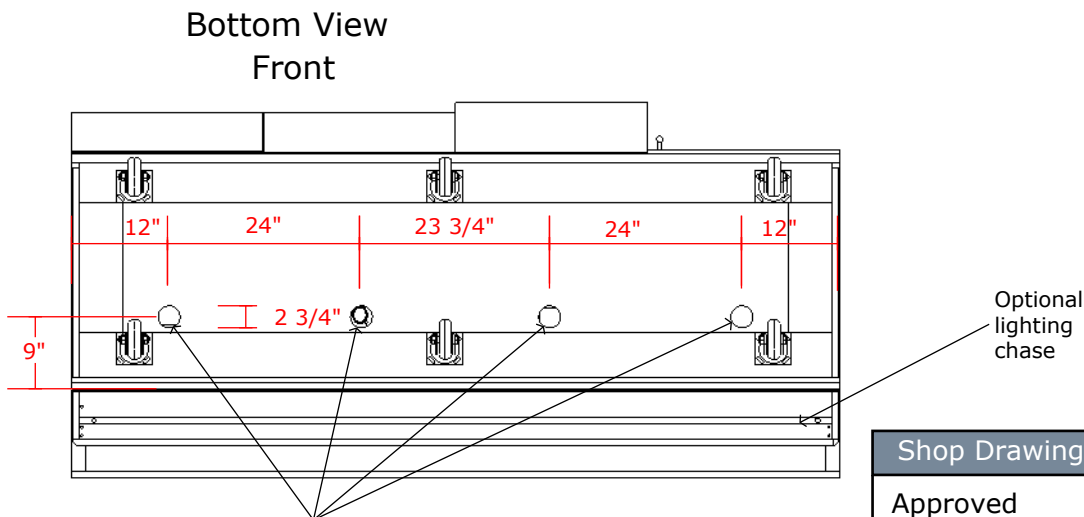
9608 Bar Modules

Item Code	Description
9608	96" Bar Module
S1	12" sink
TR	12" waste bin
DB2	24" drain board
IB2	24" ice bin and speed rail
IB3	36" ice bin and speed rail
REF	5.5 cu. Ft. stainless steel refrigerator
W	24" wine cooler
K2	24" keg beer cooler
K5	60" keg beer cooler
BC5	60" bottle cooler
S2HCW	24" sink module with self-contained hot & cold water
S3HCW	36" sink module with self-contained hot & cold water
DS	Drawers & shelves module
CD	Cup dispensers (2) & cold drawers (2)
1	LED lights
SOL **	Upgrade to solid surface counters
VC **	Vinyl Cover
UB **	Market Umbrella Holder Bracket

** Add code to end of item SKU #

Mechanicals Access

Access grommets are provided in the base of all units at fixed intervals for easy access to electrical, data and plumbing connections. End user is responsible for final connections.



Mechanicals Access Grommets

Shop Drawings - OK for production

Approved _____

Date _____

VERMONT ISLANDS
KITCHENS & BARS FOR OUTDOOR LIVING
www.vermontislands.com

22 Browne Ct. Unit 115
Brattleboro, VT 05301
P. 802.246.2277 F. 802.246.2278

9608 Bar Modules

11/28/11