

Vermont Islands

7206-3

Options

Vinyl Cover Black
 SS Tray Rail
 Shelf & Sneezeguard
 LED light under shelf

Description

Solid Ipe "ironwood" outdoor hot buffet cabinet.
 Stainless steel top.
 Locking storage.
 Interior shelf (right side)
 3 individually controlled insulated electric hot wells with manifold drain.

Special

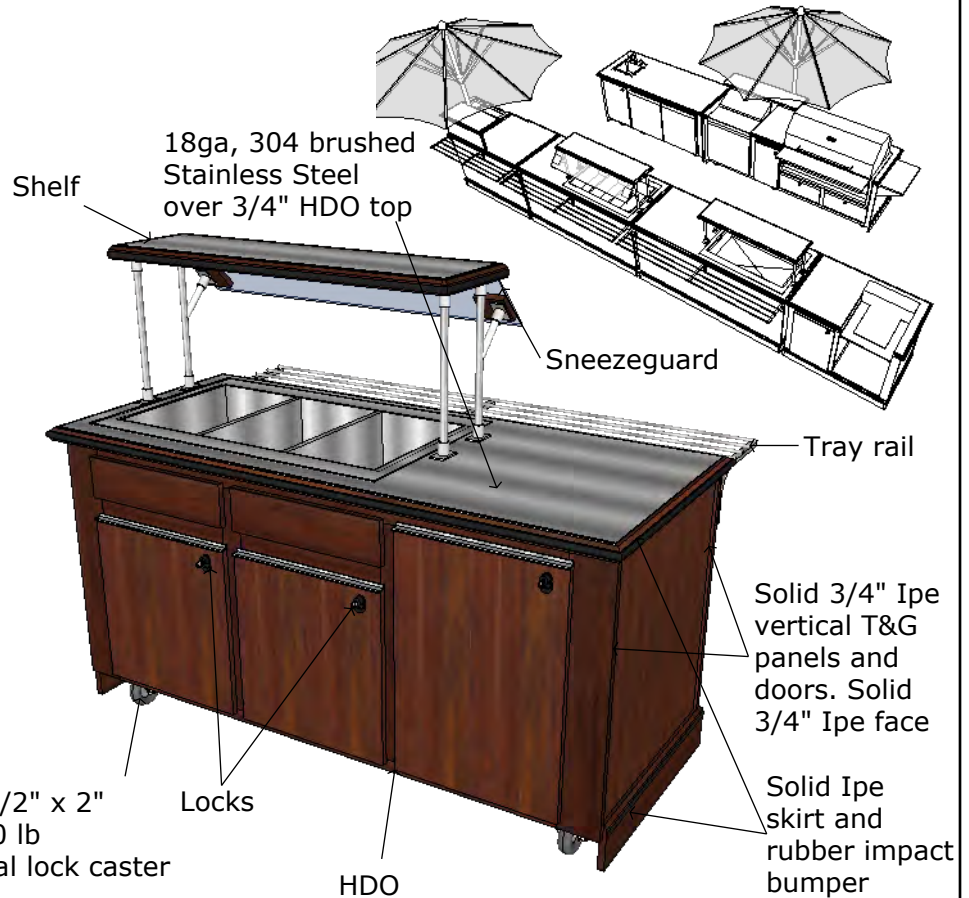
Add 12' quick connect garden hose to drain (after valve)

Overall Dimensions

74 3/4" x 32 3/4" x 38 3/8"

Weight

650 lbs



5 1/2" x 2"
 350 lb
 total lock caster

Locks

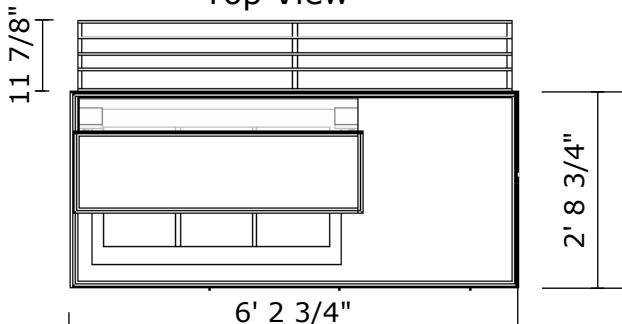
HDO
 vented
 bottom

4' 1/4"

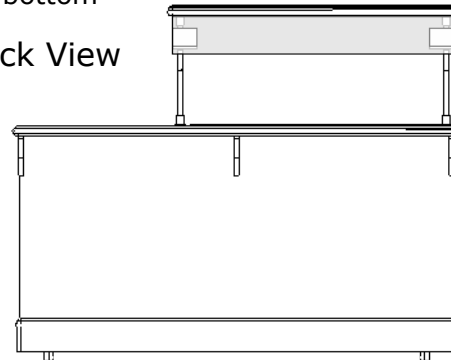
Solid 3/4" Ipe
 vertical T&G
 panels and
 doors. Solid
 3/4" Ipe face

Solid Ipe
 skirt and
 rubber impact
 bumper

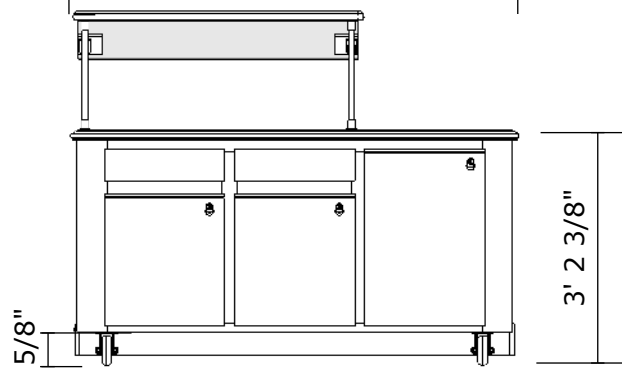
Top View



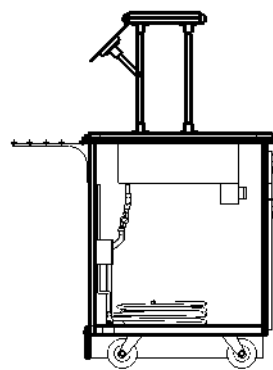
Back View



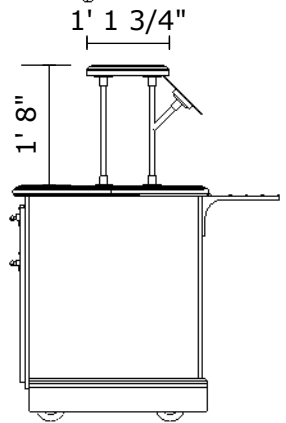
Front View



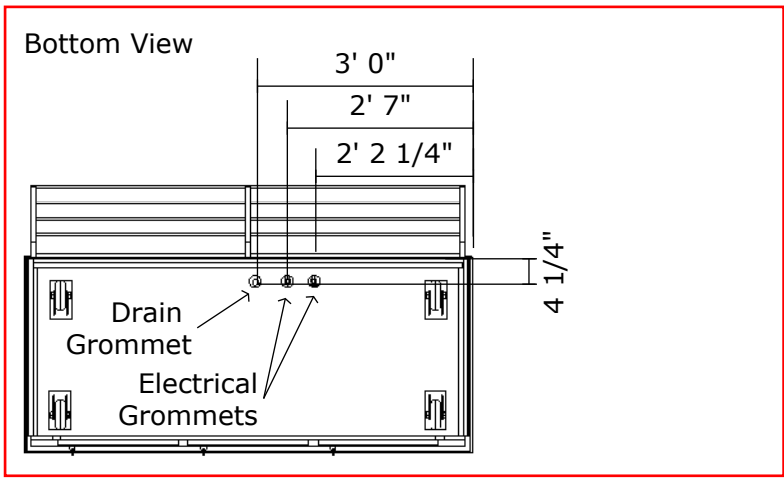
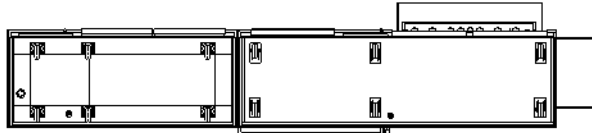
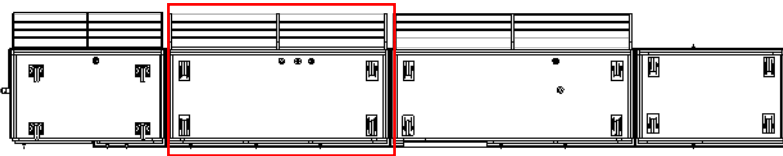
Section



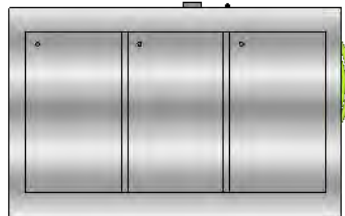
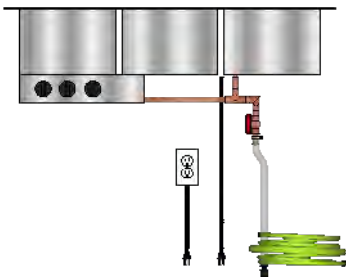
Side View



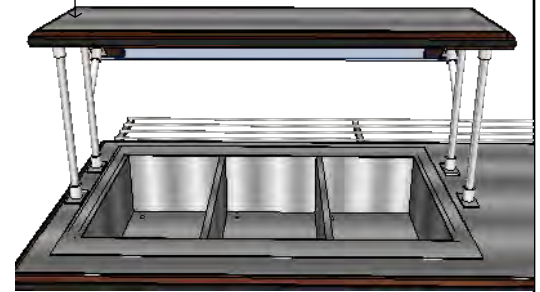
Vermont Islands 7206-3



Appliances

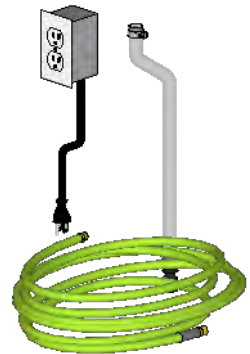


LED light under shelf



Plumbing

Flexible drain tube
Garden Hose Quick-Connect
Garden Hose (12')



GFCI Outlet

20 Amp
8' Cord w/ NEMA 5-15 plug

Vollrath 3 Well Hot Well Model 3640450

Separate Infinite Controls
Drain Manifold
120V / 15.6 Amps
625W per well
NEMA 5-20P Plug Type

Shop Drawings - OK for production

Approved _____

Date _____