

# 5501 Wait Stations

## Description:

Mobile outdoor Ipe (ironwood) cabinet with backsplash housing granite counter-top work area, space for POS station, locking sliding doors, and with accessory options for adjustable height shelves and/or drawers, sinks, ice bins, refrigeration, beverages, waste and recycle bins.

## Standard Features:

Solid ipe hardwood construction  
Heavy duty 4"x2" casters  
Locking front casters  
Locking sliding doors  
Storage slot for sliding doors  
Granite counter tops  
Counter-top access grommets

## Specifications:

### Unit dimensions:

Length - 55 1/4"  
Width - 31"  
Height (overall) - 44"  
Height (counter) - 40 3/4"  
Weight - 700 Lbs.

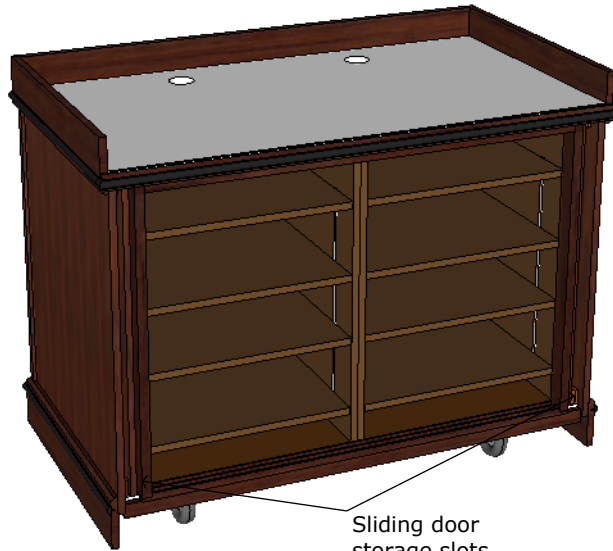
### Crated for shipping dimensions:

Length - 64"  
Width - 39"  
Height - 54"  
Weight - 1000 Lbs.

## Accessories & Options:

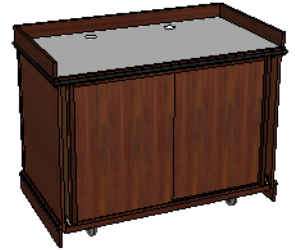
Adjustable internal drawers & shelves  
Ice & Water Fill Station  
Sink  
Self Contained Hot & Cold Water  
Self Contained Cold Water  
Refrigerator  
Cups and Cold Drawers  
Counter top waste bucket with lid  
Counter top waste chute with lid  
Waste / recycle bins  
Umbrella Holder  
Swinging doors  
Solid surface material counters

Model 5501-S4-S4 Shown

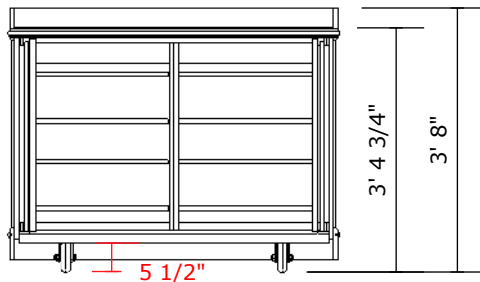


Front View

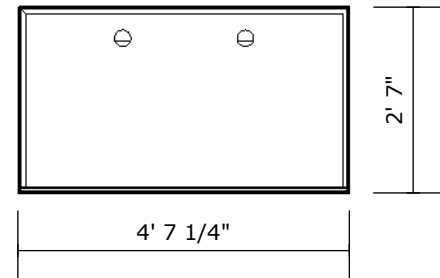
Shown with doors closed



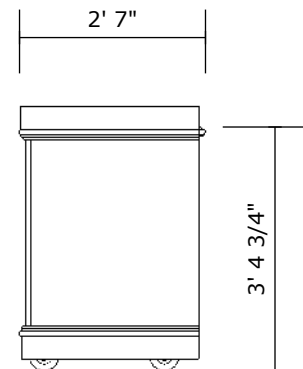
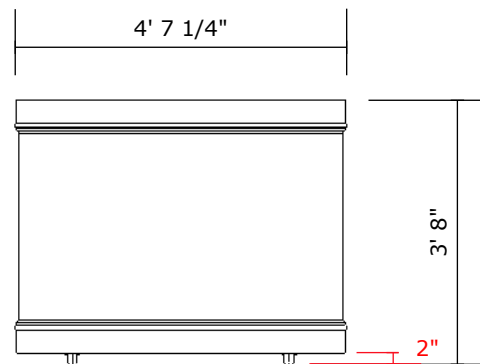
Top View



Back View

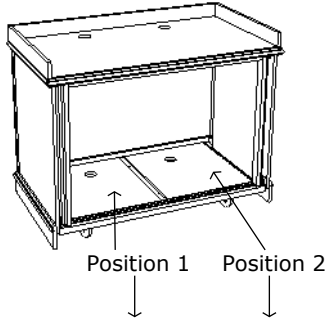


Side View



# 5501 Wait Stations

## Configure Model Options



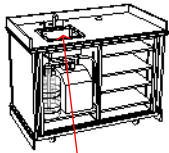
Start with an empty 5501 Wait Station (left) and configure it to meet your needs from the standard modular options below.

Write the module codes for the corresponding position in the SKU # by making the following choices:

- 1) Choose position 1 module
- 2) Choose position 2 module

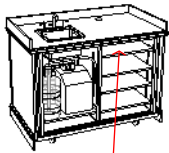
5501- \_\_\_\_\_ Wait Station

### 1) Choose position 1 module

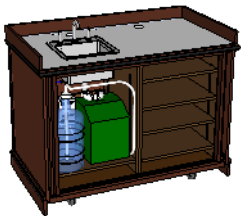


5501-SHCW-\_\_\_\_\_

### 2) Choose position 2 module



5501-SHCW-S4

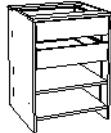


5501-SHCW-S4

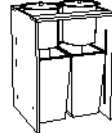
### Configuration Modules



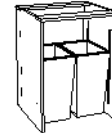
**S4** - Shelf module with 4 adjustable shelves



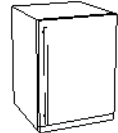
**DS** - Drawer & shelf with 2 adjustable drawers & 2 adjustable shelves



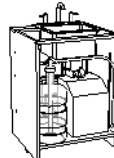
**TRB or TRC** - Recycle and waste bins with countertop buckets (B) or chutes (C)



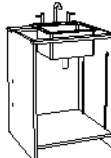
**TR** - Recycle and waste bins



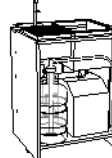
**REF** - 5.5 cu ft stainless steel refrigerator - Works best in position 2



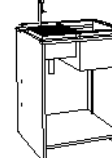
**SHCW** - Sink with self-contained hot and cold water (HCW)



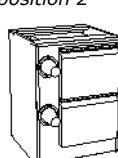
**S** - Sink



**IWCW** - Ice & water fill station with self-contained cold water (CW)



**IW** - Ice & water fill station



**CD** - Ice cooled stainless steel cold drawers (2) & cup dispensers (2)

Item Code	Description
5501	55" Wait Station
S4	Shelf module
DS	Drawers & shelves module
TRB	Trash & recycle bins with countertop buckets
TRC	Trash & recycle bins with countertop chutes
TR	Trash & recycle bins
S	Sink
SHCW	Sink with self-contained hot & cold water
IW	Ice & water fill station
IWCW	Ice & water fill station with self-contained cold water
CD	Cup dispensers (2) & cold drawers (2)
REF	5.5 cu. Ft. stainless steel refrigerator
SOL **	Upgrade to solid surface counters
SWD **	Upgrade to swing doors
VC **	Vinyl Cover
UB **	Market Umbrella Holder Bracket

\*\* Add code to end of item SKU #

# 5501 Wait Stations

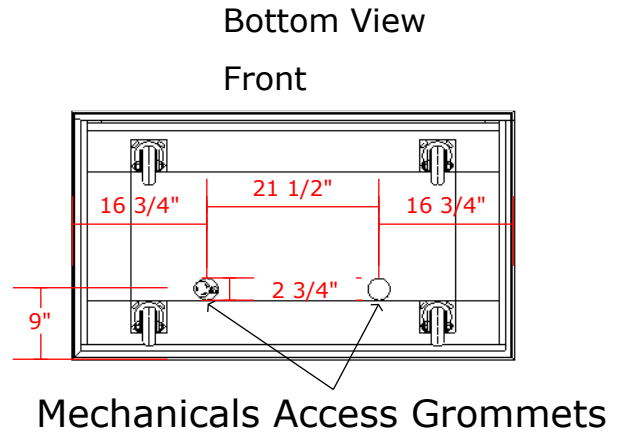
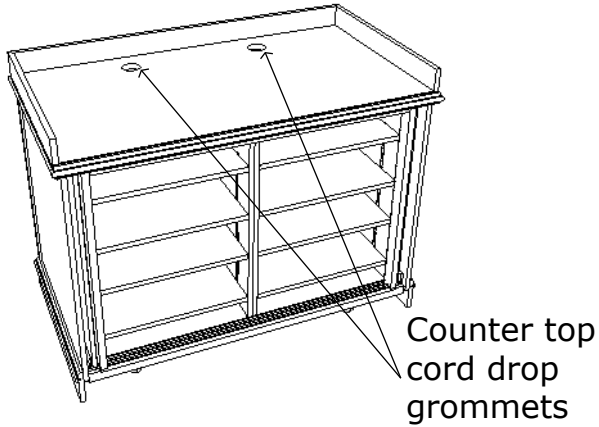
## Mechanicals Access

All wait stations come with a 15 Amp 120V GFCI outlet with 9' cord and NEMA 5-15 plug type in the cabinet.

Counter tops have 2" access grommets for electric and data cables.

Access grommets are provided in the base of all units at fixed intervals for easy access to electrical, data and plumbing connections.

End user is responsible for final connections.



Shop Drawings - OK for production

Approved \_\_\_\_\_

Date \_\_\_\_\_